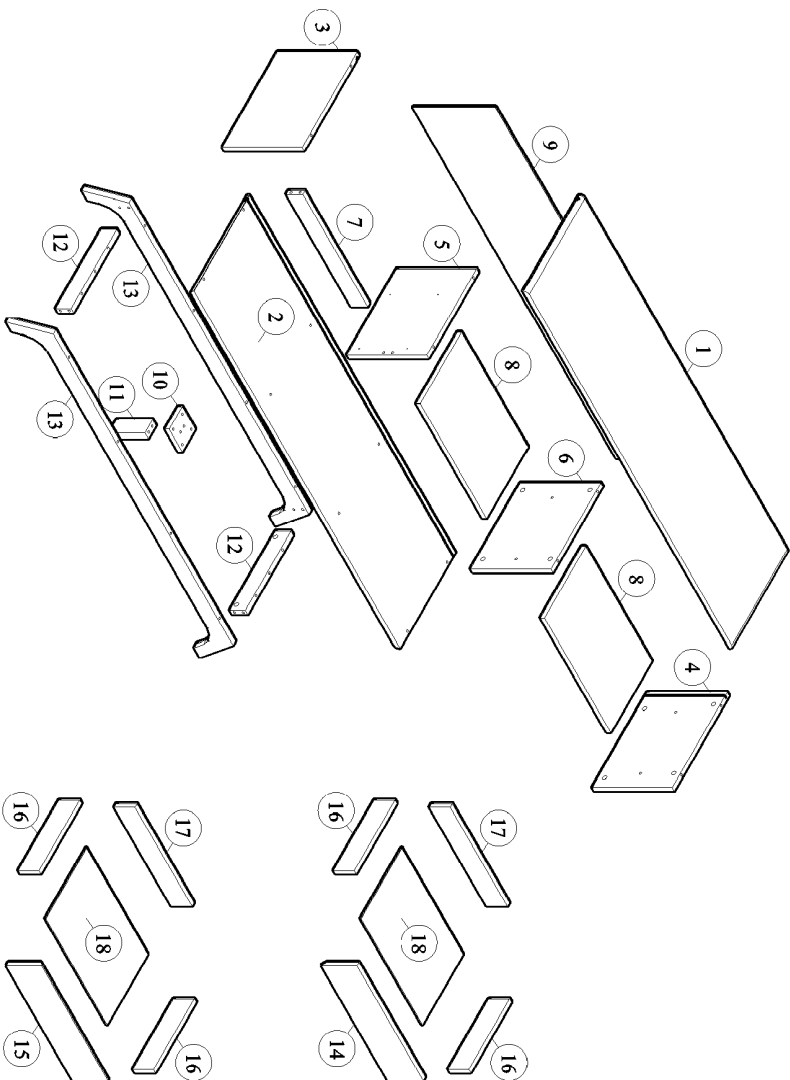
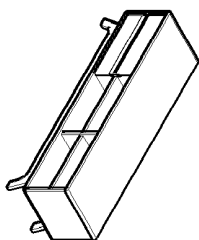



















MODEL : SE TV 90780WI

POSITION & PARTS NUMBER

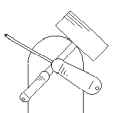


	ACCESSORIES	QUANTITY
A	 MINIPIX M5x24MM	20 PCS
B	 MINIPIX CASING	20 PCS
C	 WOOD DOWEL M8x30MM	10 PCS
D	 SCREW M3.5x16MM	4 PCS
E	 SCREW M4x28MM	4 PCS
F	 SCREW M4x38MM	16 PCS
G	 SCREW M4x65MM	12 PCS
H	 SCREW M7x50MM	2 PCS
I	 DRAWER SLIDE 12" SCREW M3.5x12MM	2 SETS 24 PCS
J	 WHITE LEG PIN	5 PCS
K	 POWER PIN	20 PCS
L	 IRON SHELF SUPPORT	8 PCS
M	 ALLEN KEY	1 PC

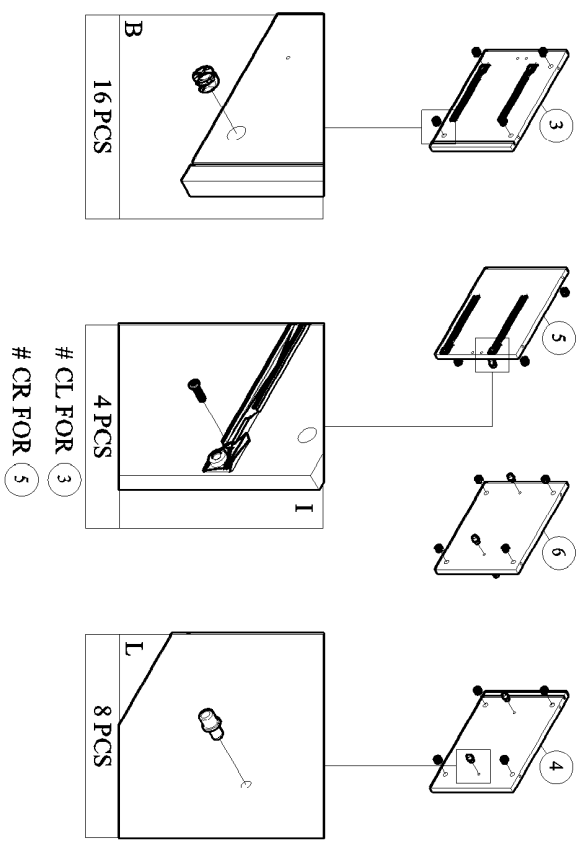
CHEMICAL	HANDLE WITH CARE	KEEP DRY	HARD SURFACE
 <input checked="" type="checkbox"/>	 <input checked="" type="checkbox"/>	 <input checked="" type="checkbox"/>	 <input checked="" type="checkbox"/>



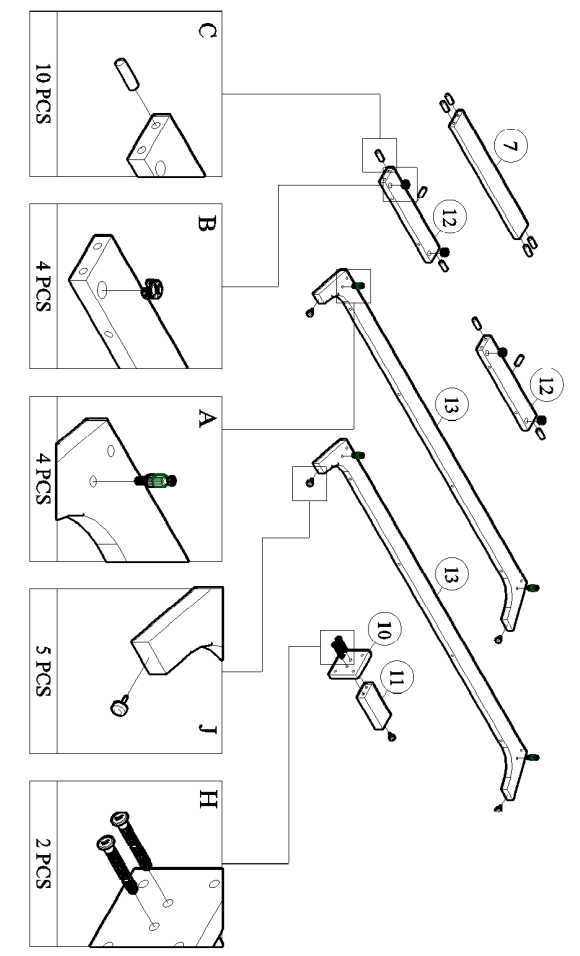
START ASSEMBLY



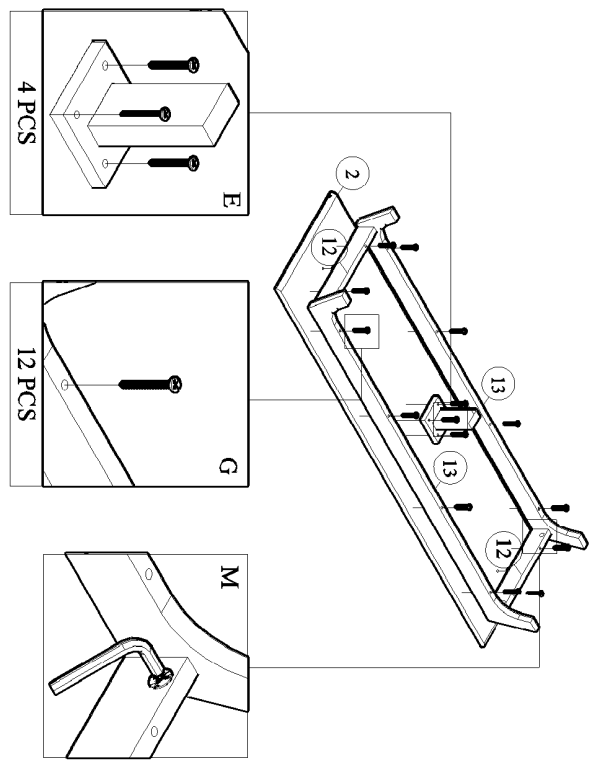
STEP 1



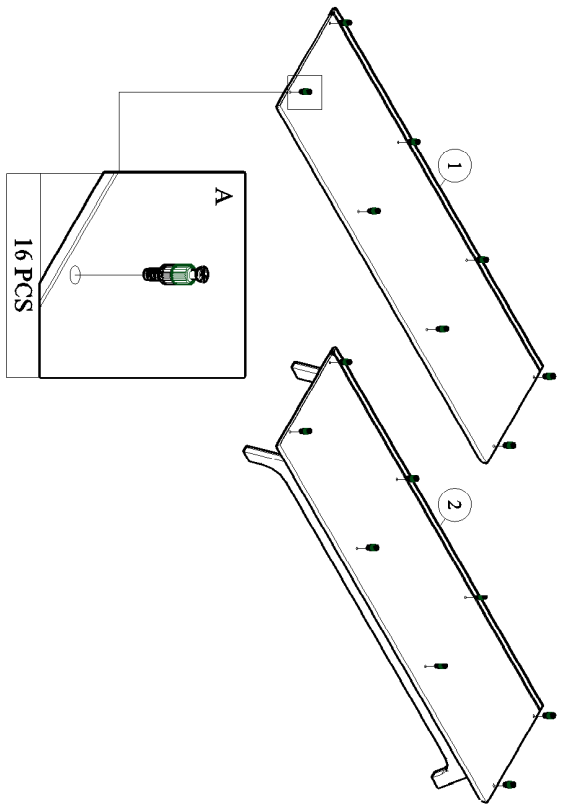
STEP 2



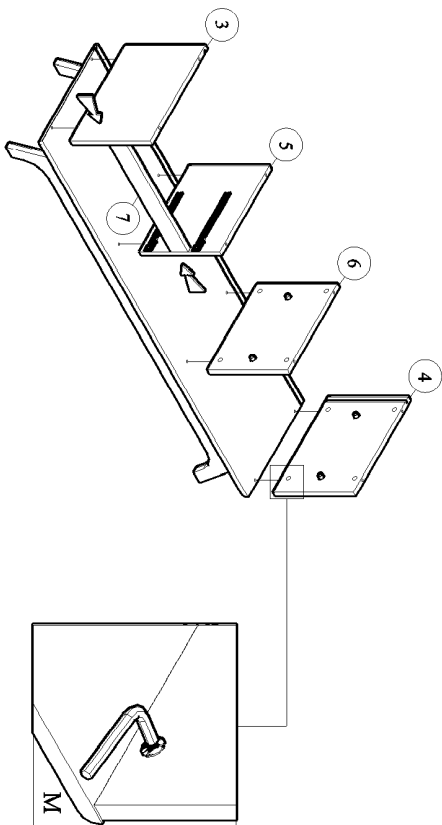
STEP 3



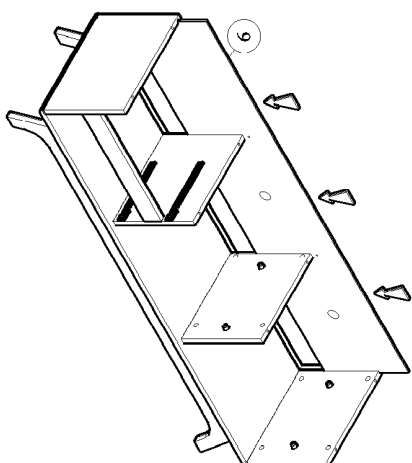
STEP 4



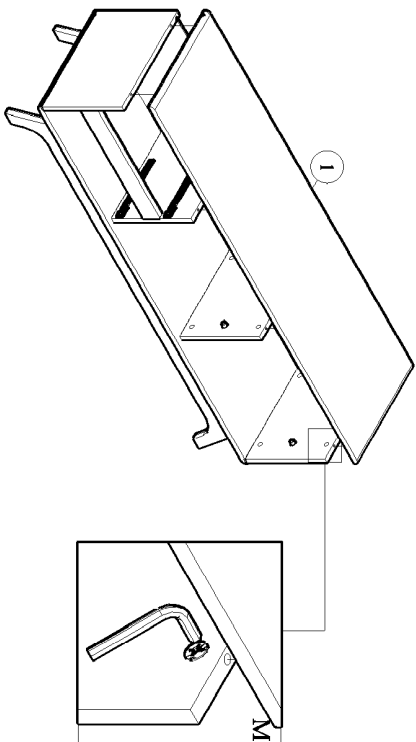
STEP 5



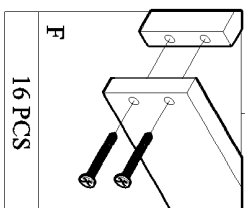
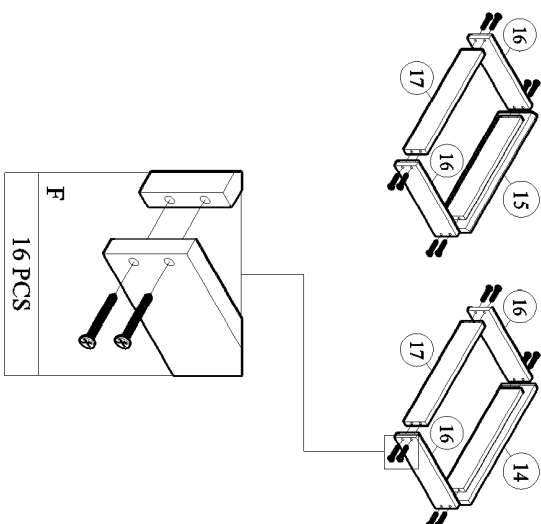
STEP 6



STEP 7

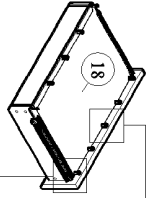
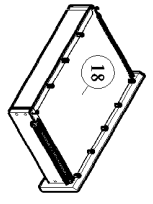


STEP 8



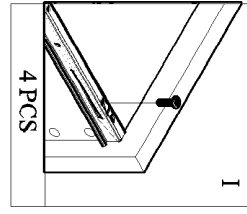
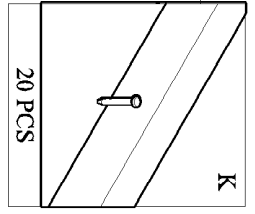
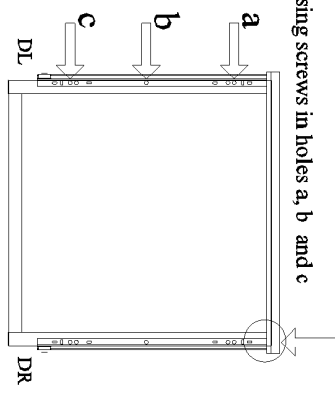
16 PCS

STEP 9

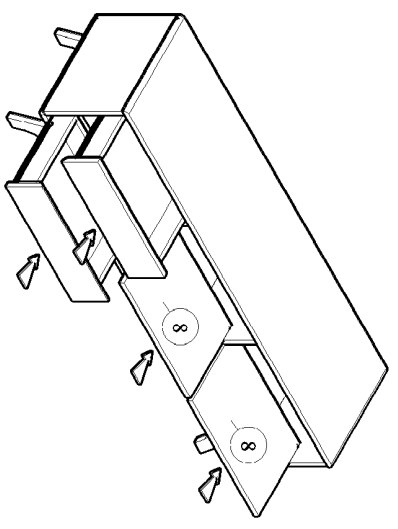


Make sure the tip of the Drawer Slide (1) is parallel to the tip of the drawer.

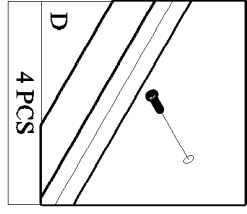
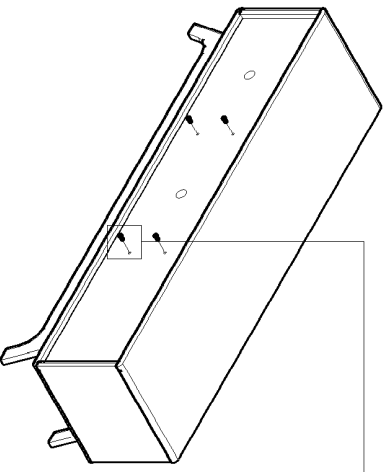
Tie using screws in holes a, b and c



STEP 10



STEP 11



COMPLETED

